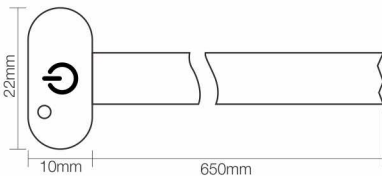


S4B-A3 Fpc Membrane Switch

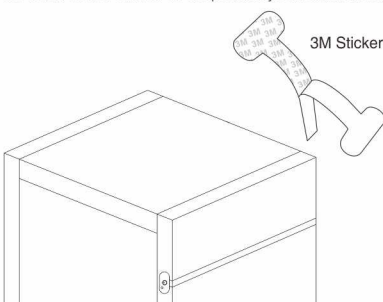


| | |
|---------------|---------------|
| Voltage | DC12V / DC24V |
| Max watt | 60W |
| Detecting Way | Press type |
| Function | ON/OFF/Dimmer |
| IP level | IP20 |
| Size | 22x10mm |

Installation Way



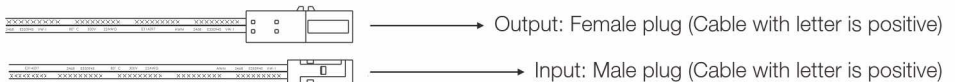
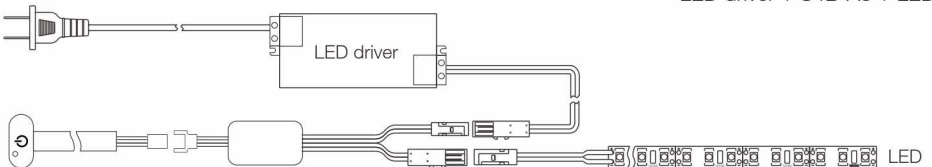
- ① Tear off the back adhesive paper of the touch sensor switch first.
- ② Paste the touch sensor switch on the position you want to install.



3M Sticker

Connection

LED driver + S4B-A3 + LED



Notes

1. For indoor use only.
2. Do not disassemble the product.
3. Do not install the switch in water dropping place.
4. Use a dry cloth, never a strong cleaning agent.
5. Replace all set switch device if case of quality or malfunction.